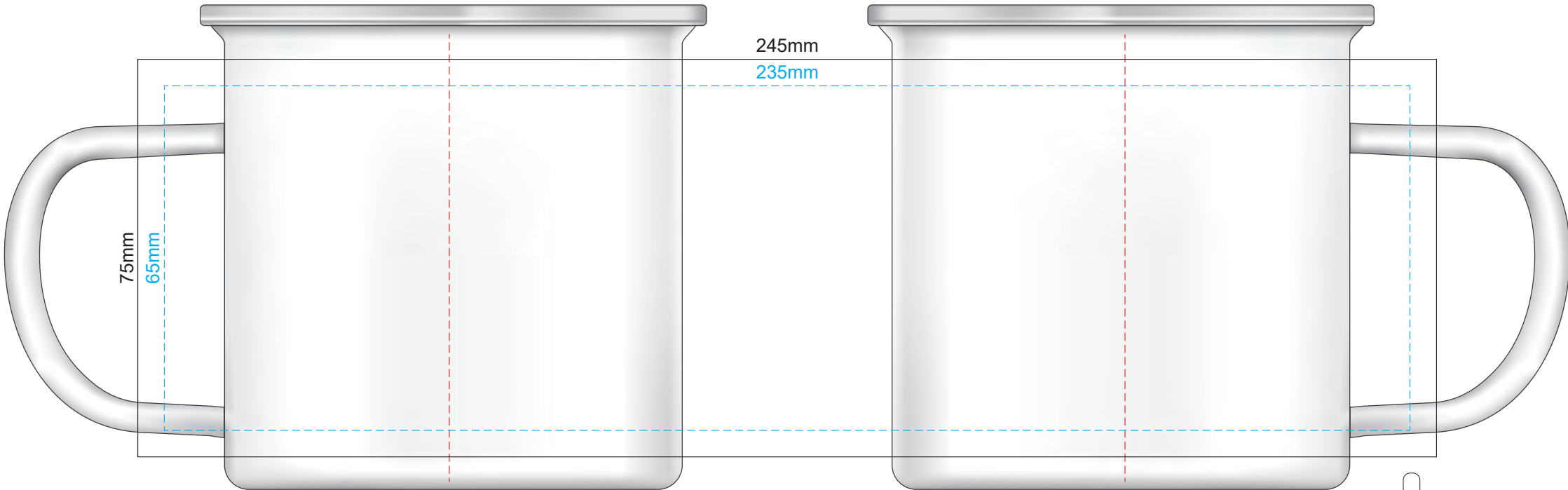


100% of Actual Size
Sublimation

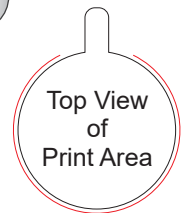


Please note there will be a space between the top of the artwork and the lip of the mug. Bleeding artwork off the top is not possible.

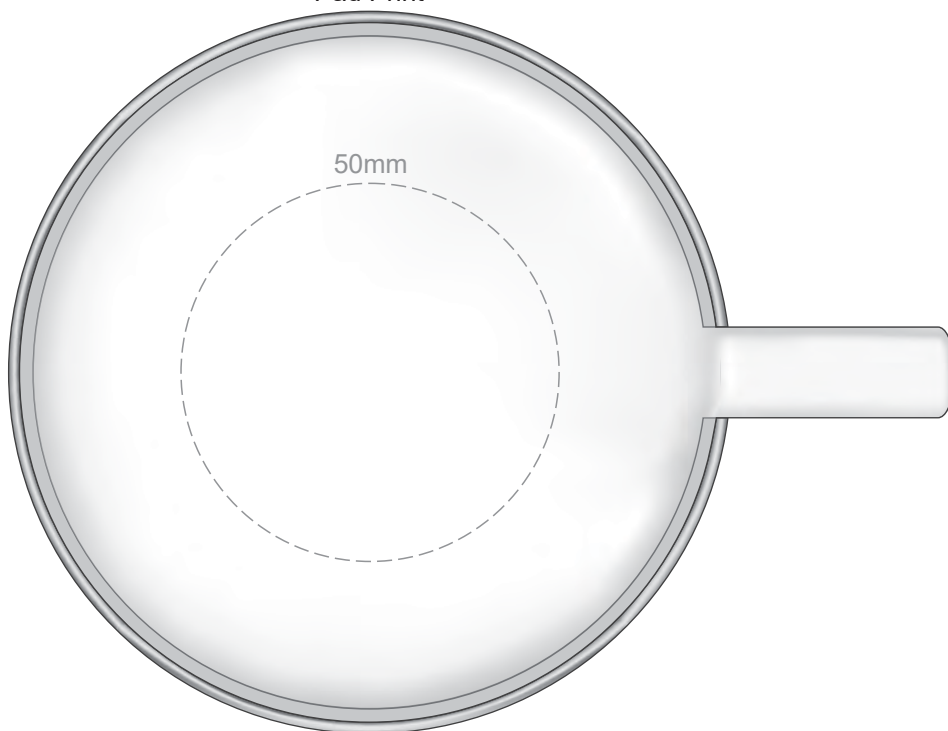
Blue Line = The SIGNIFICANT PRINT AREA
(Keep all critical images & text within this box)

Black Line = Maximum print area

Red Line = Exact opposites of the product
(centre artwork to the red line)



100% of Actual Size
Pad Print



**ROTATE ARTWORK 180°
in order for it to be the correct way when in use.**