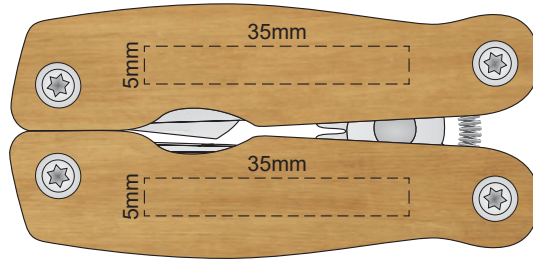
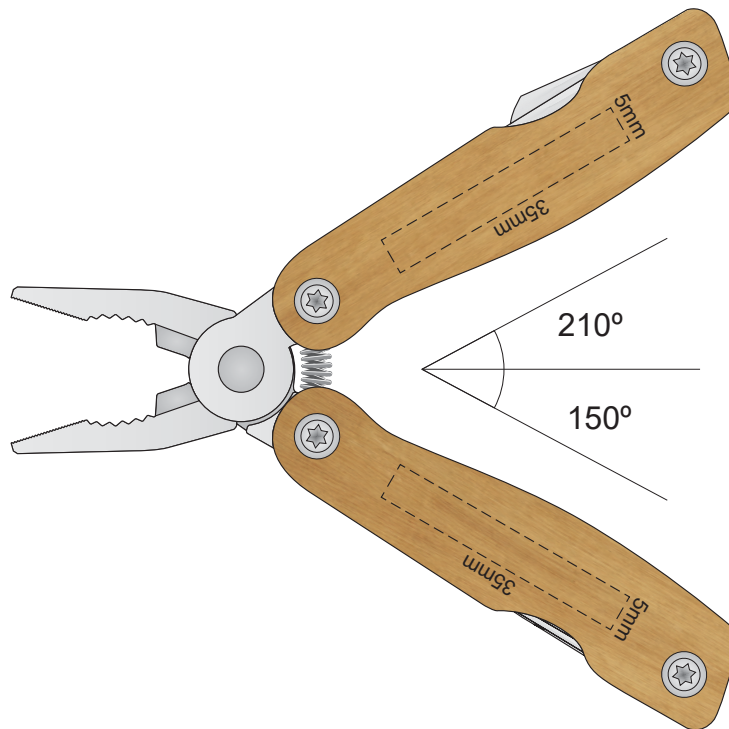


100% of Actual Size
Pad Print
Laser Engraving

Rotate top artwork 210 degrees



Rotate bottom artwork 150 degrees



100% of Actual Size
Pad Print
Laser Engraving

This product is a natural material, please allow for variances in grain pattern and branding.



Laser engraves to a natural etch