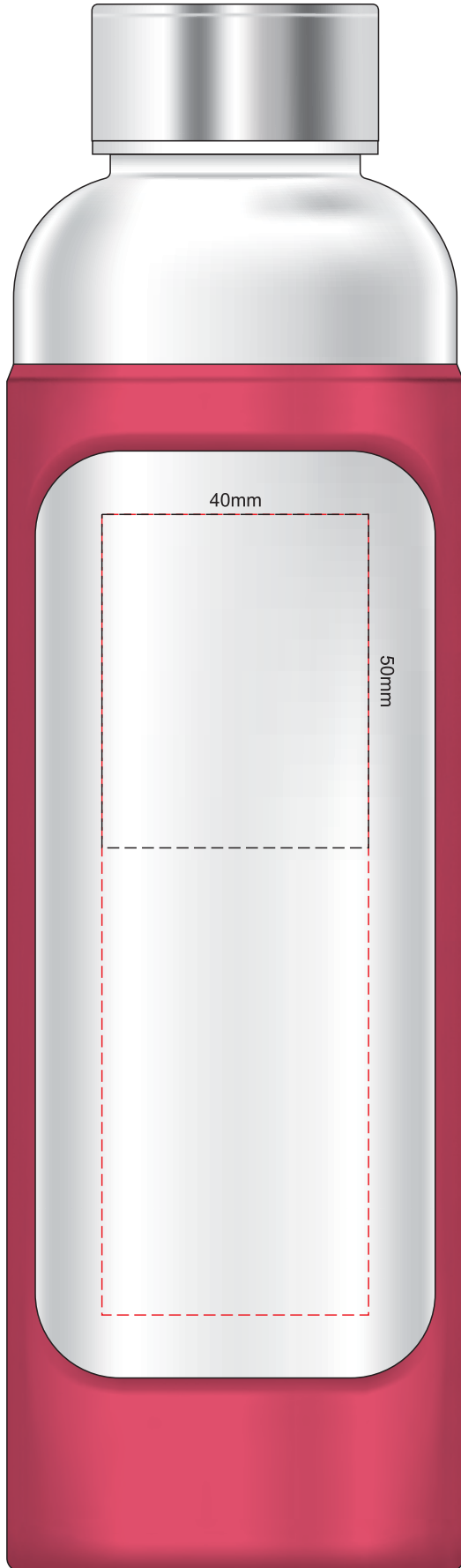
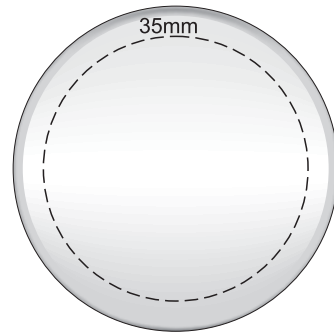




100% of Actual Size
Pad Print
Imitation Etch



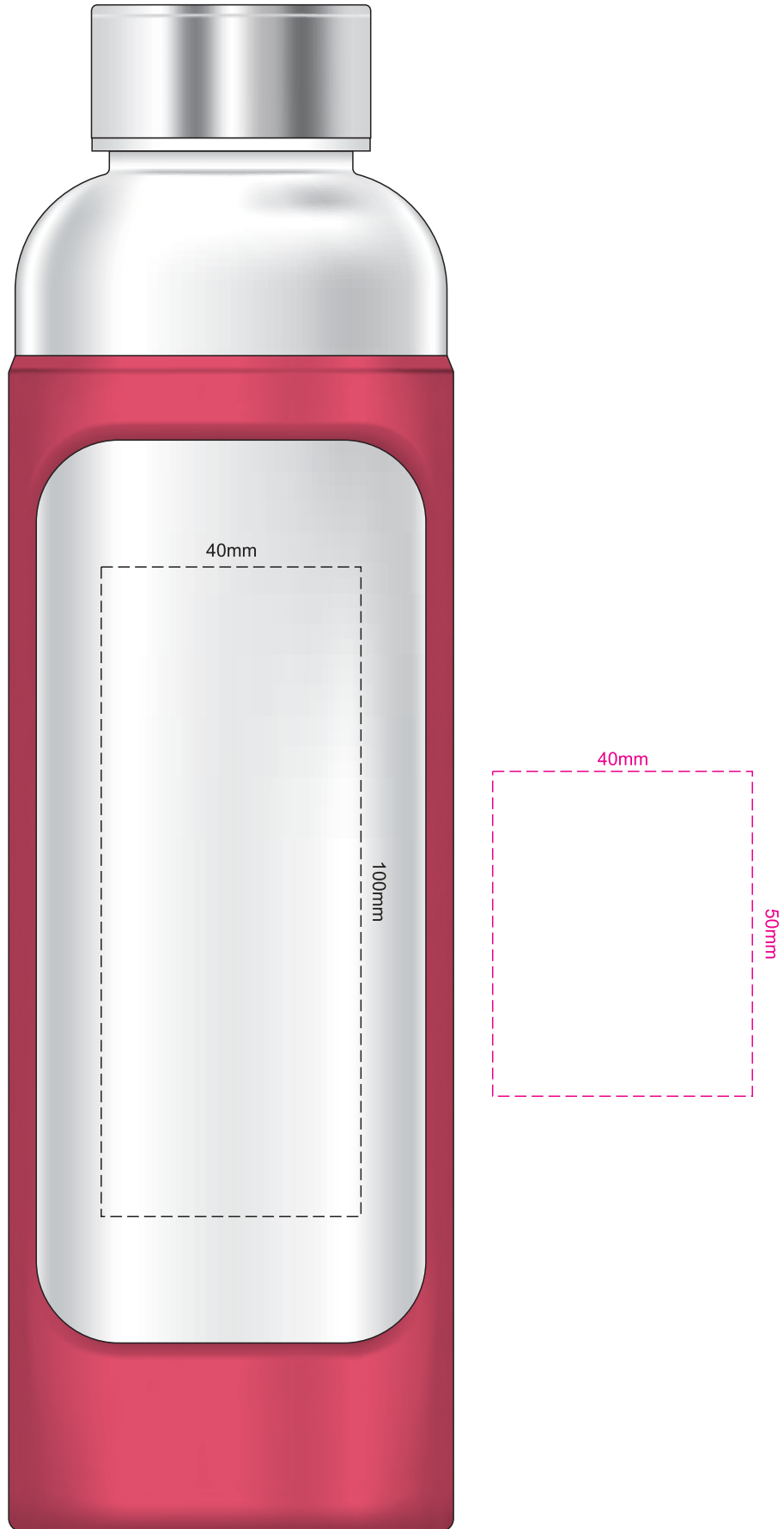
100% of Actual Size
Engraving



 Engraves to
Stainless Steel Finish

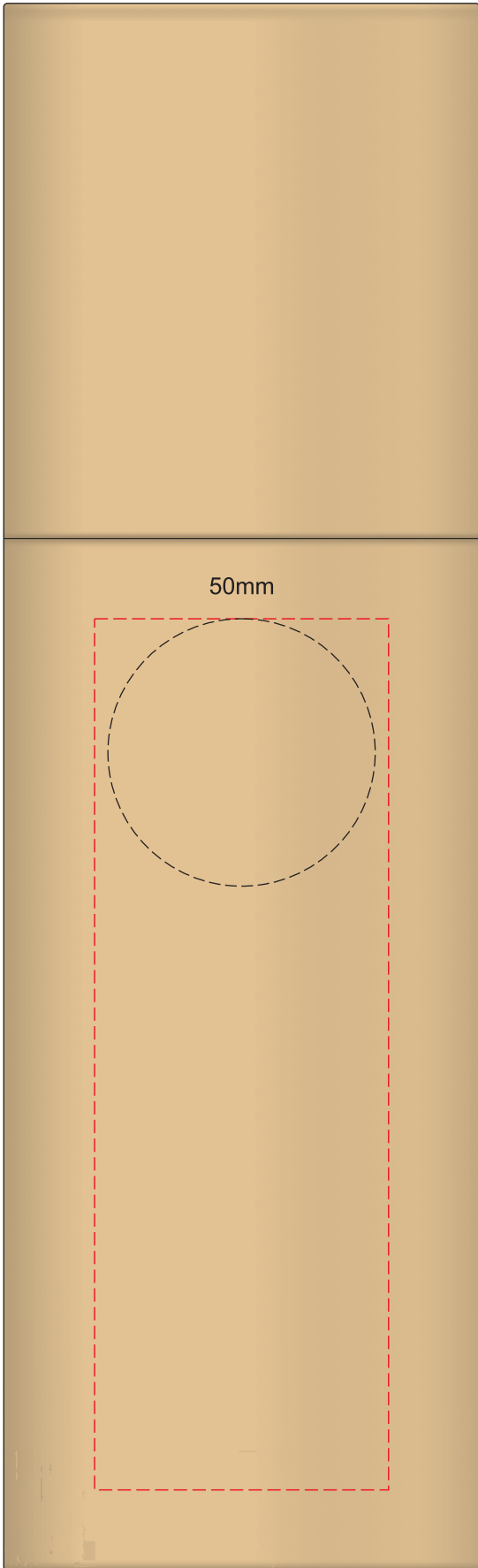


100% of Actual Size
Pad Print
Imitation Etch



The larger special print area is only available on this item by breaking the artwork into multiple prints. Each individual print artwork must fit within 40mm x 50mm, each print can be positioned anywhere within the overall print area but should not be touching with other prints. Different print colours are available for each print. Each print is charged the normal print position rate plus setup.

80% of Actual Size
Pad Print (one colour)



Top of Tube

