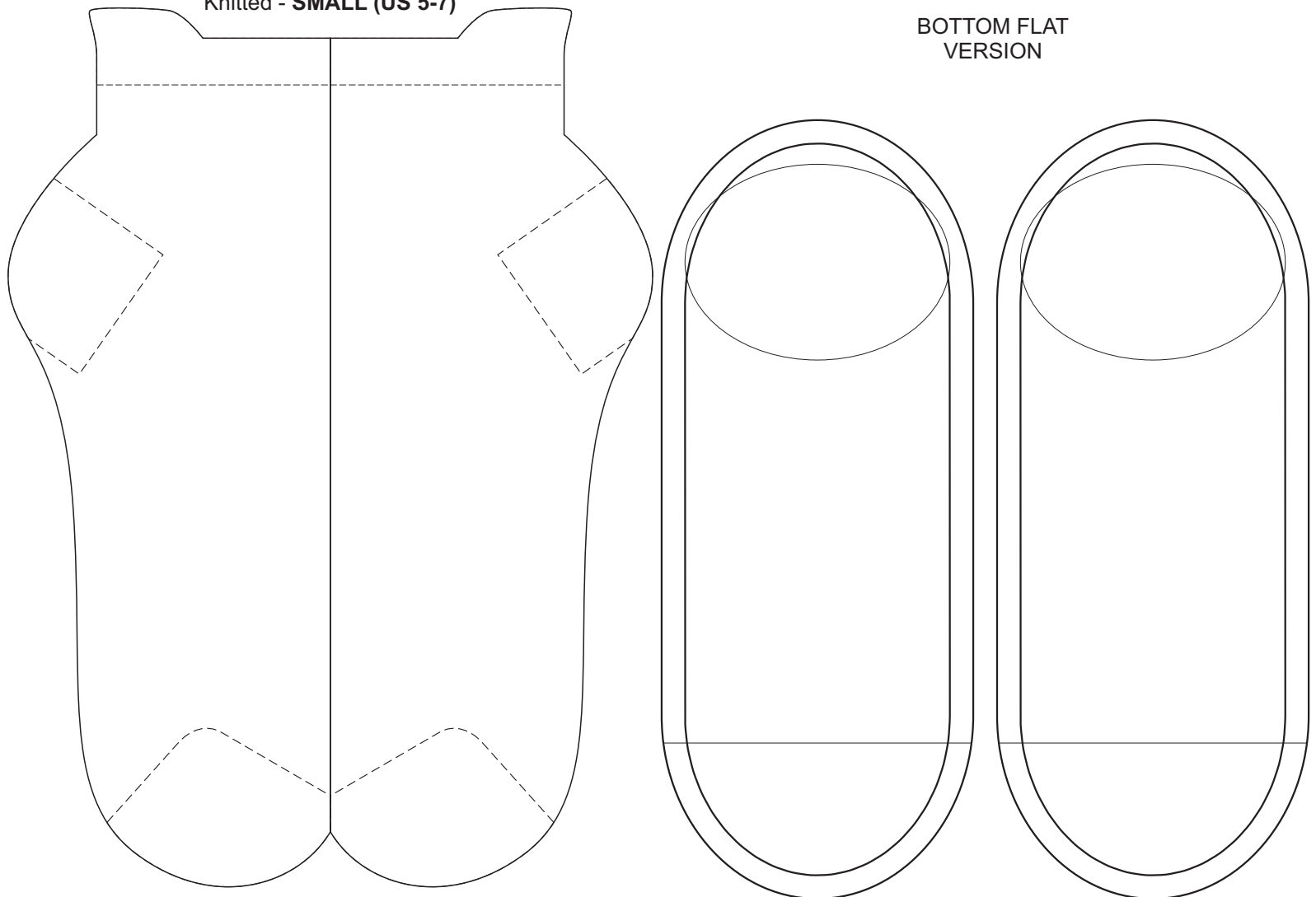


50% of Actual Size
Knitted - **SMALL (US 5-7)**

BOTTOM FLAT
VERSION



LEFT

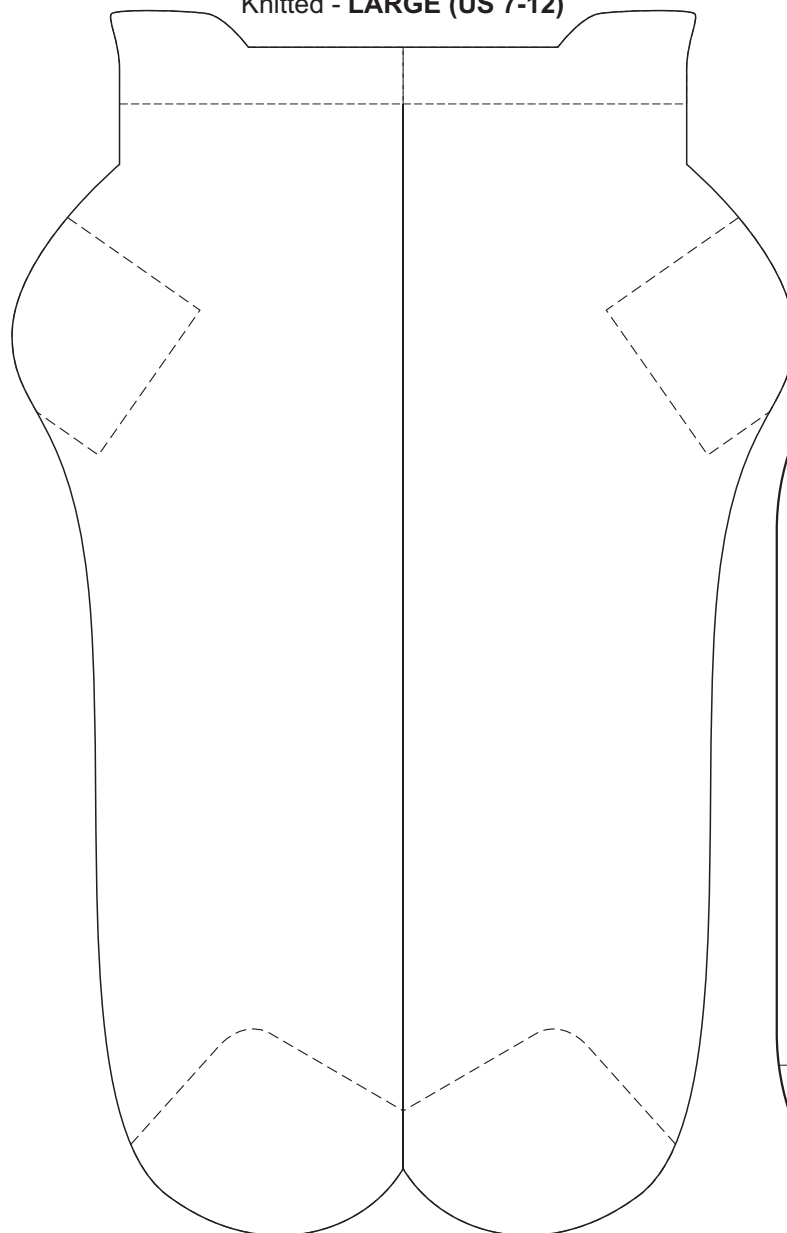
RIGHT

LEFT

RIGHT

Please note: Artwork designs/logos cannot be woven underneath the grips on the sole of the sock
Pantone colour matches will be approximate.
Minimum Grip thickness/size is 7mm.

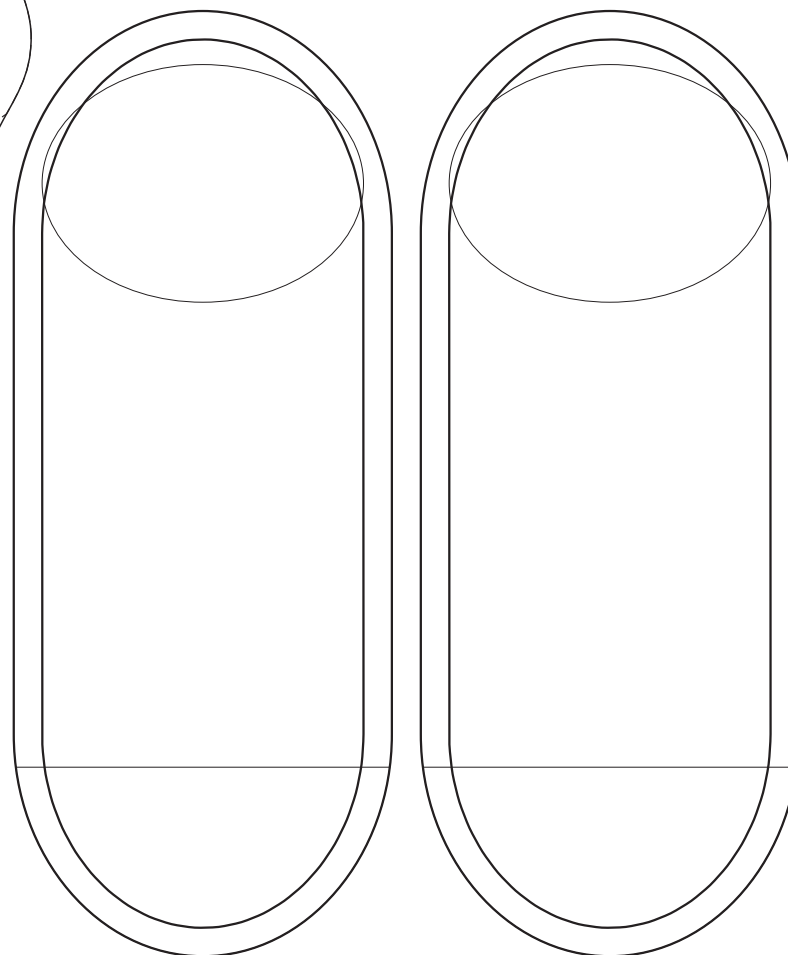
50% of Actual Size
Knitted - **LARGE (US 7-12)**



LEFT

RIGHT

BOTTOM FLAT
VERSION

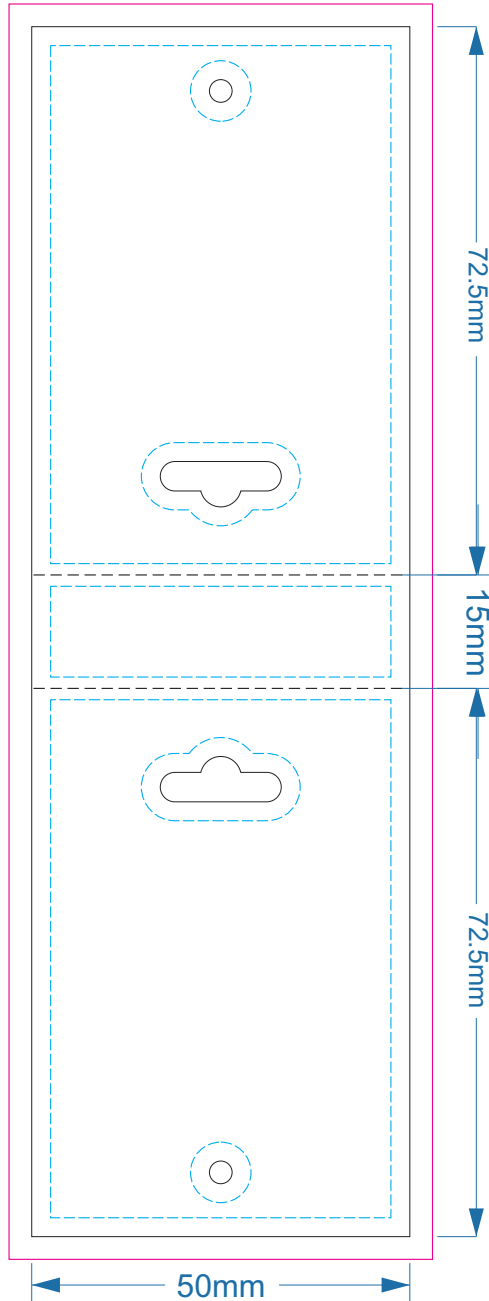


LEFT

RIGHT

Please note: Artwork designs/logos cannot be woven underneath the grips on the sole of the sock
Pantone colour matches will be approximate.
Minimum Grip thickness/size is 7mm.

100% of Actual Size
Header Card - Digital Print



Blue Line = The SIGNIFICANT PRINT AREA
(Keep all critical images & text within this box)
Black Line = Maximum print area
Pink Line = Bleed off to here